

OPUS[®] Pre-packed Chromatography Columns

Regulatory Support File

Supplement B: Column Drawings and Dimensions



RSF-Supplement B

[repligen.com](https://www.repligen.com)

© 2023 Repligen Corporation. All rights reserved. The trademarks mentioned herein are the property of Repligen Corporation and/or its affiliate(s) or their respective owners.



The information contained in this document is subject to change without notice.

With respect to documentation accompanying Product Repligen makes no warranty, express or implied. Any and all warranties related to the documentation accompanying Product are expressly disclaimed. Customer shall refer to the terms and conditions of sale governing the transaction for any and all warranties for the Product.

Repligen Corporation shall not be liable for errors contained herein or for incidental or consequential damages in connection with the furnishing, performance, or use of this material.

No part of this document may be photocopied, reproduced, or translated to another language without the prior written consent of Repligen Corporation.

Products are not intended for diagnostic or therapeutic use or for use in vivo with humans or animals.

For further information, please contact Repligen Corporation at www.repligen.com.

©2023 Repligen Corporation. All rights reserved. The trademarks mentioned herein are the property of Repligen Corporation and/or its affiliate(s) or their respective owners.

Customer Support

customerserviceUS@repligen.com

+1 (781) 250-0111

Repligen Corporation

41 Seyon Street
Building 1, Suite 100
Waltham, MA 02453
www.repligen.com

List of tables

Table 1. OPUS 2.5 Column Dimensions 4
 Table 2. OPUS 5 Column Dimensions 5
 Table 3. OPUS 8 Column Dimensions 6
 Table 4. OPUS 10 Column Dimensions 7
 Table 5. OPUS 12.6 Column Dimensions 8
 Table 6. OPUS 14 Column Dimensions 9
 Table 7. OPUS 20 Column Dimensions 10
 Table 8. OPUS 25 Column Dimensions 11
 Table 9. OPUS 30 Column Dimensions 12
 Table 10. OPUS 36R Column Dimensions 13
 Table 11. OPUS 45R Column Dimensions 14
 Table 12. OPUS 60R Column Dimensions 15
 Table 13. OPUS 80R Column Dimensions 16

List of figures

Figure 1. OPUS 2.5 Engineering Drawing 4
 Figure 2. OPUS 5 Engineering Drawing 5
 Figure 3. OPUS 8 Engineering Drawing 6
 Figure 4. OPUS 10 Engineering Drawing 7
 Figure 5. OPUS 12.6 Engineering Drawing 8
 Figure 6. OPUS 14 Engineering Drawing 9
 Figure 7. OPUS 20 Engineering Drawing 10
 Figure 8. OPUS 25 Engineering Drawing 11
 Figure 9. OPUS 30 Engineering Drawing 12
 Figure 10. OPUS 36R Engineering Drawing 13
 Figure 11. OPUS 45R Engineering Drawing 14
 Figure 12. OPUS 60R Engineering Drawing 15
 Figure 13. OPUS 80R Engineering Drawing 16

Abbreviations

cm	Centimeter
in	Inch
OPUS	Open Platform User Specified

Figure 1. OPUS 2.5 Engineering Drawing

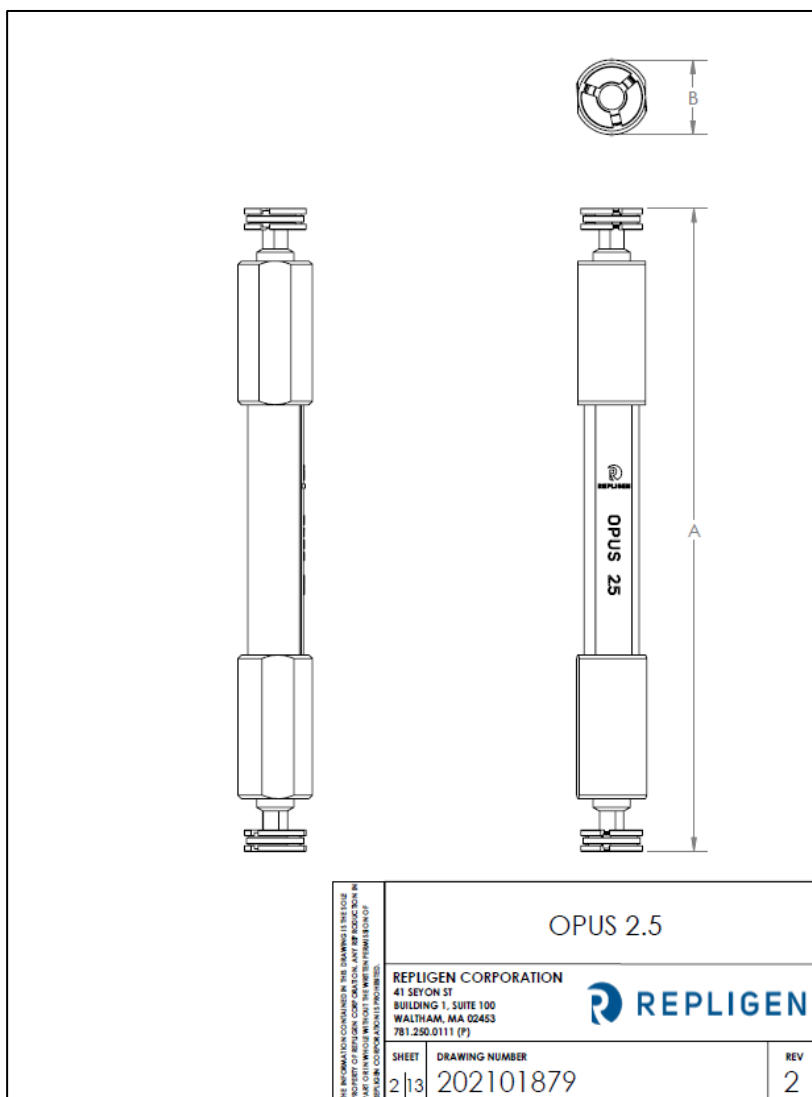


Table 1. OPUS 2.5 Column Dimensions

Dimension	Bed height	Value*
A	5 cm	34.7 cm (13.7 in)
	10 cm	39.7 cm (15.6 in)
	15 cm	44.7 cm (17.6 in)
	20 cm	53.7 cm (21.1 in)
	25 cm	58.6 cm (23.1 in)
	30 cm	63.6 cm (25.0 in)
B	5 – 30 cm	5.2 cm (2.0 in)**

*Dimension values are for reference only.

**Dimension value is fixed; does not vary with bed height.

Figure 2. OPUS 5 Engineering Drawing

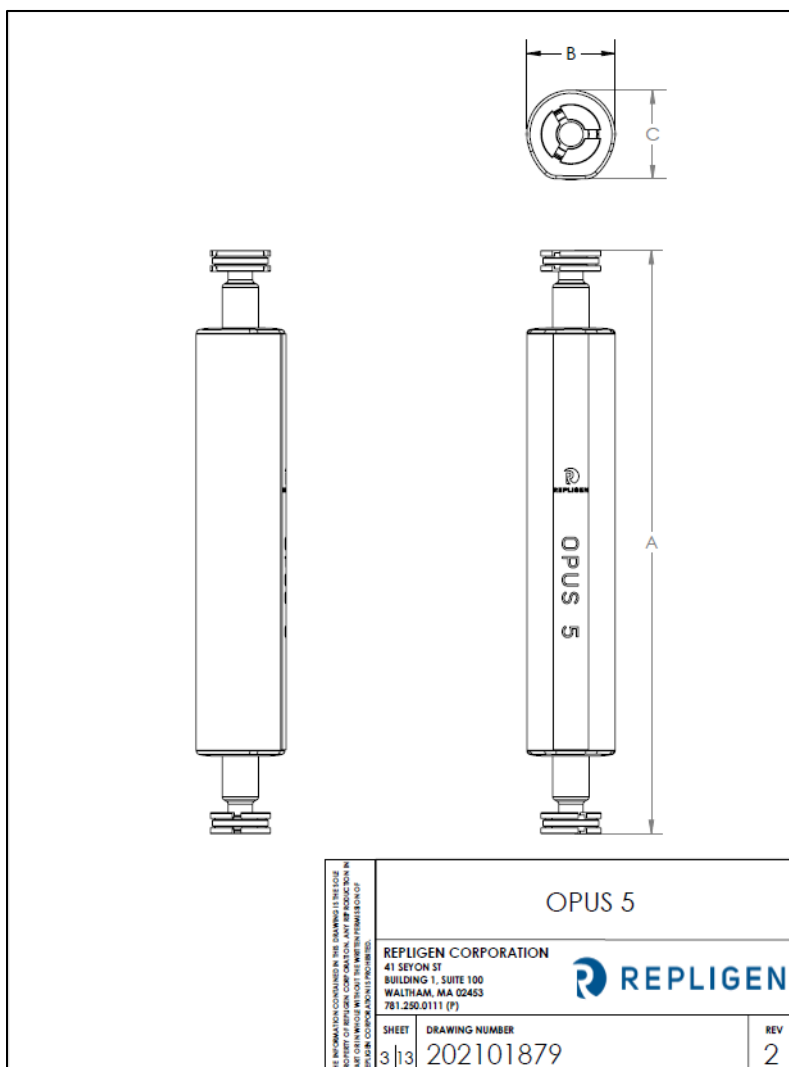


Table 2. OPUS 5 Column Dimensions

Dimension	Bed height	Value*
A	5 cm	25.4 cm (10.0 in)
	10 cm	30.5 cm (12.0 in)
	15 cm	35.6 cm (14.0 in)
	20 cm	40.6 cm (16.0 in)
	25 cm	45.7 cm (18.0 in)
	30 cm	50.8 cm (20.0 in)
B	5 – 30 cm	6.3 cm (2.5 in)**
C	5 – 30 cm	6.4 cm (2.5 in)**

*Dimension values are for reference only.

**Dimension value is fixed; does not vary with bed height.

Figure 3. OPUS 8 Engineering Drawing

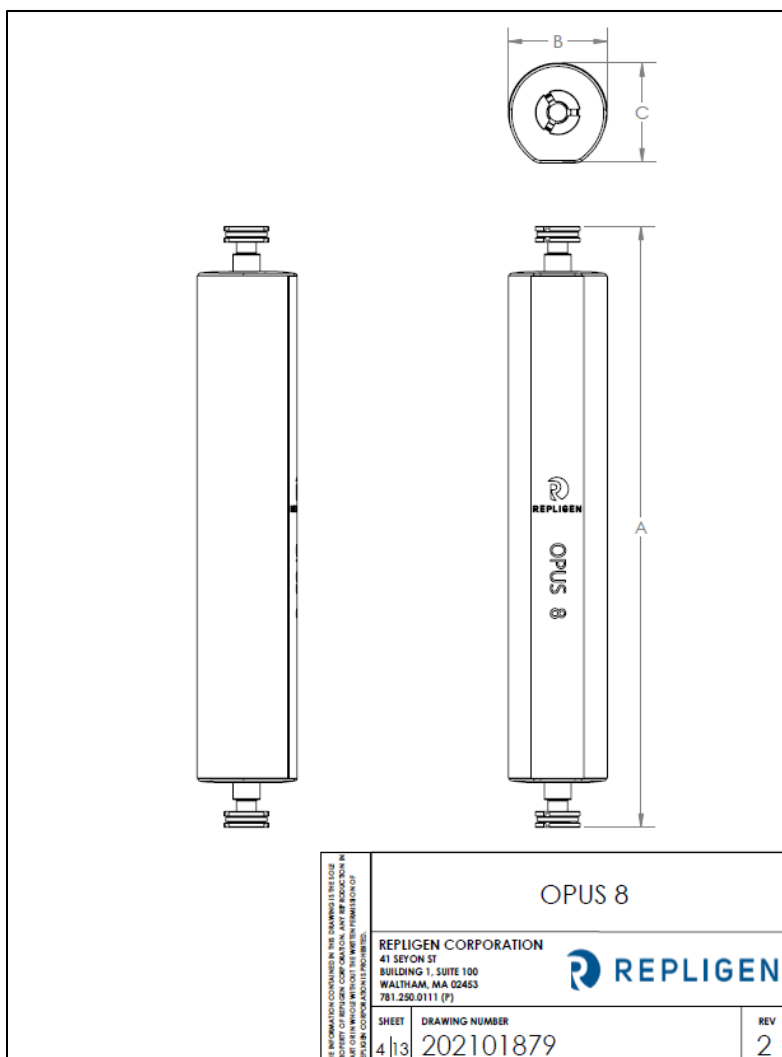


Table 3. OPUS 8 Column Dimensions

Dimension	Bed height	Value*
A	5 cm	25.0 cm (9.8 in)
	10 cm	30.0 cm (12.0 in)
	15 cm	35.0 cm (14.0 in)
	20 cm	40.0 cm (16.0 in)
	25 cm	45.0 cm (18.0 in)
	30 cm	50.0 cm (20.0 in)
B	5 – 30 cm	10.3 cm (4.1 in)**
C	5 – 30 cm	9.6 cm (3.8 in)**

*Dimension values are for reference only.

**Dimension value is fixed; does not vary with bed height

Figure 4. OPUS 10 Engineering Drawing

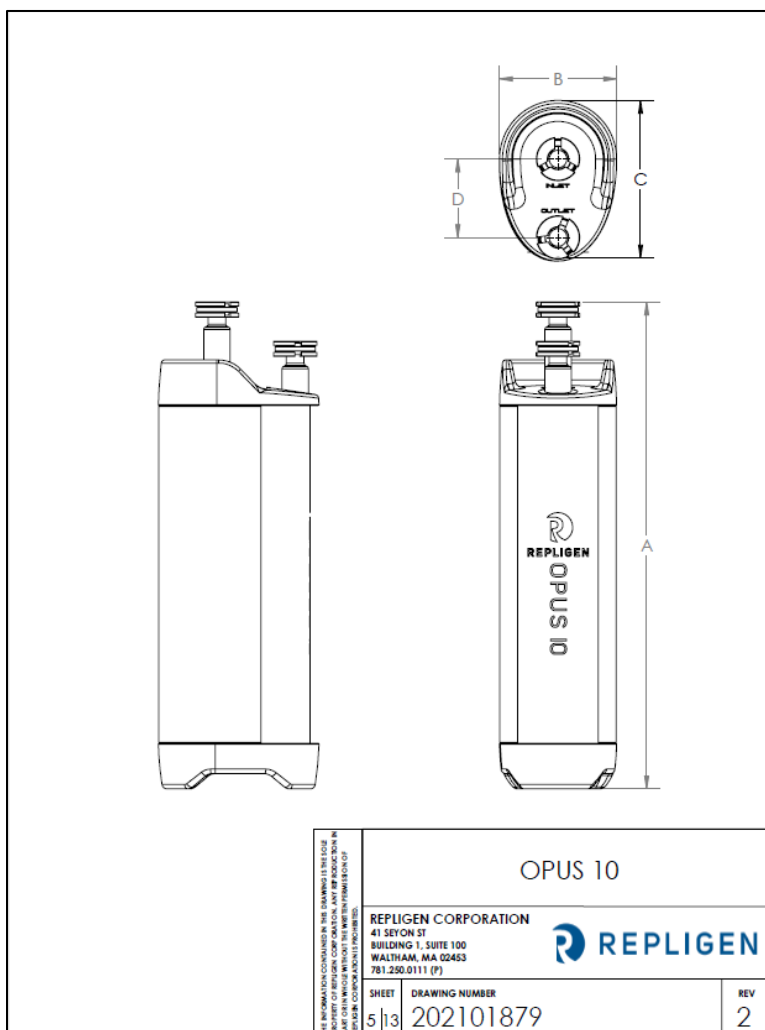


Table 4. OPUS 10 Column Dimensions

Dimension	Bed height	Value*
A	5 cm	29.5 cm (11.6 in)
	10 cm	34.5 cm (13.6 in)
	15 cm	39.5 cm (15.6 in)
	20 cm	44.5 cm (17.5 in)
	25 cm	49.5 cm (19.5 in)
	30 cm	54.5 cm (21.5 in)
B	5 – 30 cm	11.6 cm (4.6 in)**
C	5 – 30 cm	15.9 cm (6.3 in)**
D	5 – 30 cm	7.6 cm (3.0 in)**

*Dimension values are for reference only.

**Dimension value is fixed; does not vary with bed height.

Figure 5. OPUS 12.6 Engineering Drawing

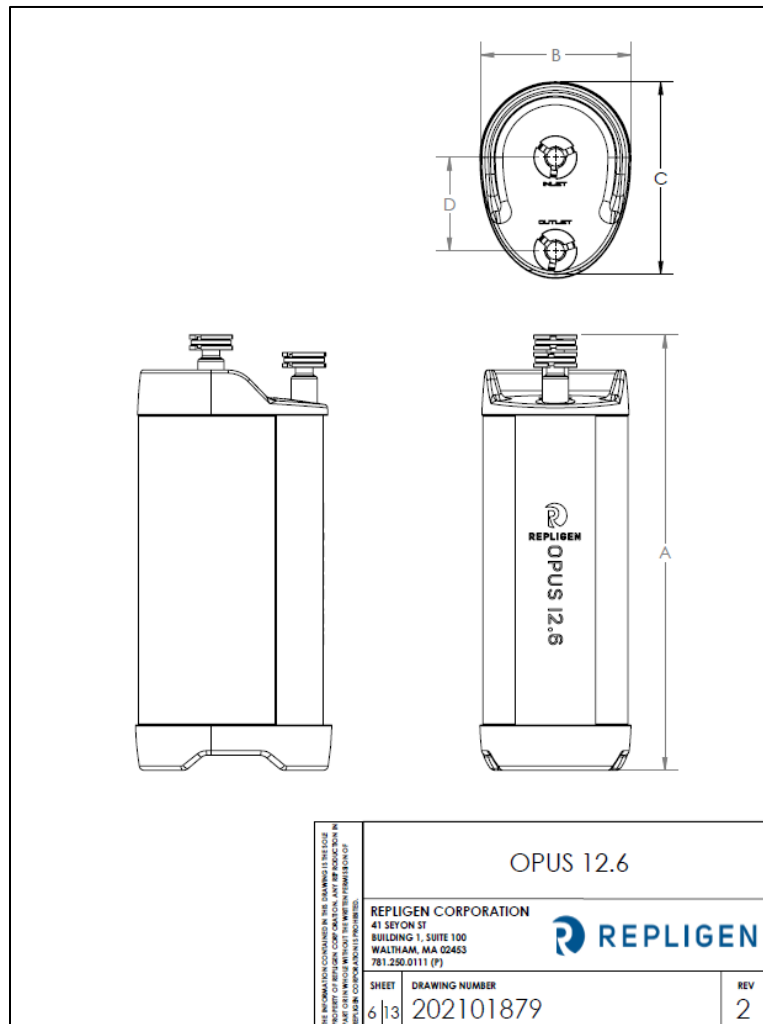


Table 5. OPUS 12.6 Column Dimensions

Dimension	Bed height	Value*
A	5 cm	33.2 cm (13.1 in)
	10 cm	38.2 cm (15.0 in)
	15 cm	43.2 cm (17.0 in)
	20 cm	48.2 cm (19.0 in)
	25 cm	53.2 cm (20.9 in)
	30 cm	58.2 cm (22.9 in)
B	5 – 30 cm	15.0 cm (5.9 in)**
C	5 – 30 cm	18.9 cm (7.4 in)**
D	5 – 30 cm	9.3 cm (3.7 in)**

*Dimension values are for reference only.

**Dimension value is fixed; does not vary with bed height.

Figure 6. OPUS 14 Engineering Drawing

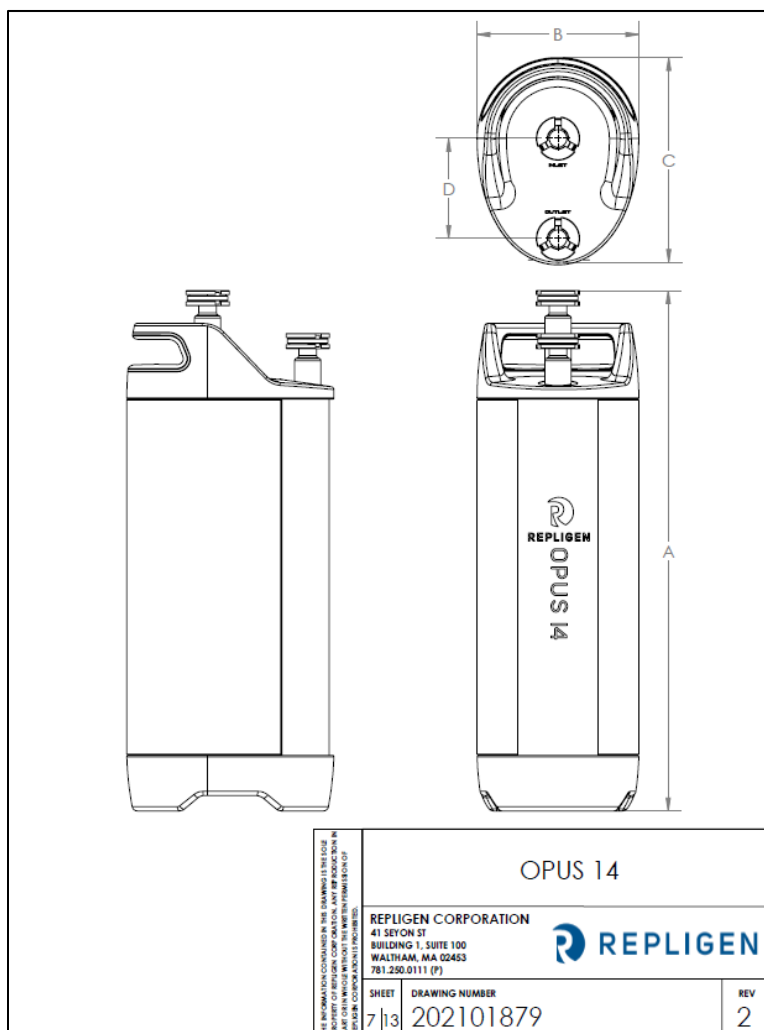


Table 6. OPUS 14 Column Dimensions

Dimension	Bed height	Value*
A	5 cm	32.2 cm (12.7 in)
	10 cm	37.2 cm (14.6 in)
	15 cm	42.2 cm (16.6 in)
	20 cm	47.2 cm (18.6 in)
	25 cm	52.2 cm (20.6 in)
	30 cm	57.2 cm (22.5 in)
B	5 – 30 cm	16.0 cm (6.3 in)**
C	5 – 30 cm	20.5 cm (8.1 in)**
D	5 – 30 cm	10.0 cm (3.9 in)**

*Dimension values are for reference only.

**Dimension value is fixed; does not vary with bed height.

Figure 7. OPUS 20 Engineering Drawing

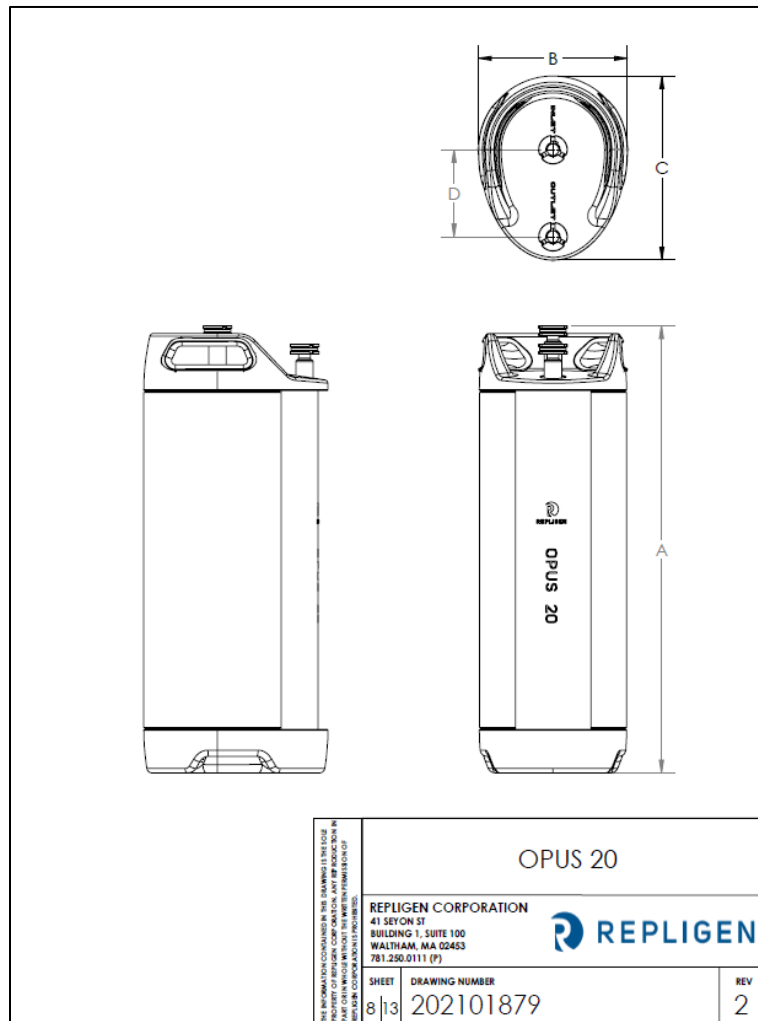


Table 7. OPUS 20 Column Dimensions

Dimension	Bed height	Value*
A	5 cm	34.9 cm (13.7 in)
	10 cm	39.9 cm (15.7 in)
	15 cm	44.9 cm (17.7 in)
	20 cm	49.9 cm (19.6 in)
	25 cm	54.9 cm (21.6 in)
	30 cm	59.9 cm (23.6 in)
B	5 – 30 cm	22.0 cm (8.7 in)**
C	5 – 30 cm	27.0 cm (10.6 in)**
D	5 – 30 cm	13.3 cm (5.2 in)**

*Dimension values are for reference only.

**Dimension value is fixed; does not vary with bed height.

Figure 8. OPUS 25 Engineering Drawing

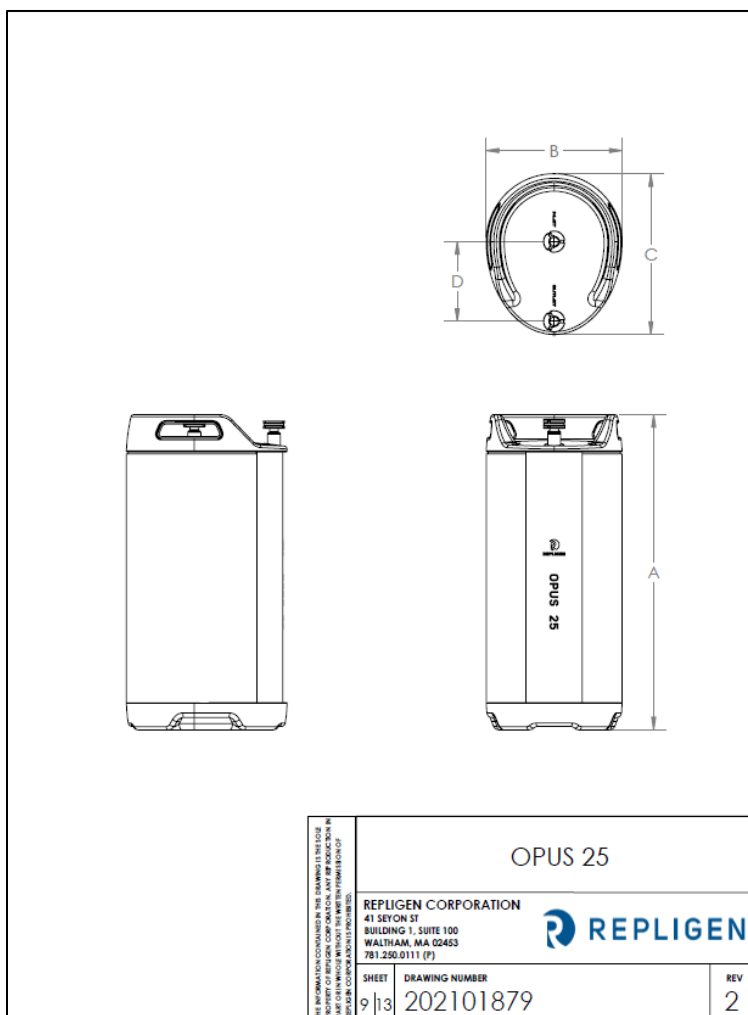


Table 8. OPUS 25 Column Dimensions

Dimension	Bed Height	Value*
A	5 cm	35.9 cm (14.1 in)
	10 cm	40.9 cm (16.1 in)
	15 cm	45.9 cm (18.1 in)
	20 cm	50.9 cm (20.0 in)
	25 cm	55.9 cm (22.0 in)
	30 cm	60.9 cm (24.0 in)
B	5 – 30 cm	27.3 cm (10.7 in)**
C	5 – 30 cm	32.3 cm (12.7 in)**
D	5 – 30 cm	16.0 cm (6.3 in)**

*Dimension values are for reference only.

**Dimension value is fixed; does not vary with bed height.

Figure 9. OPUS 30 Engineering Drawing

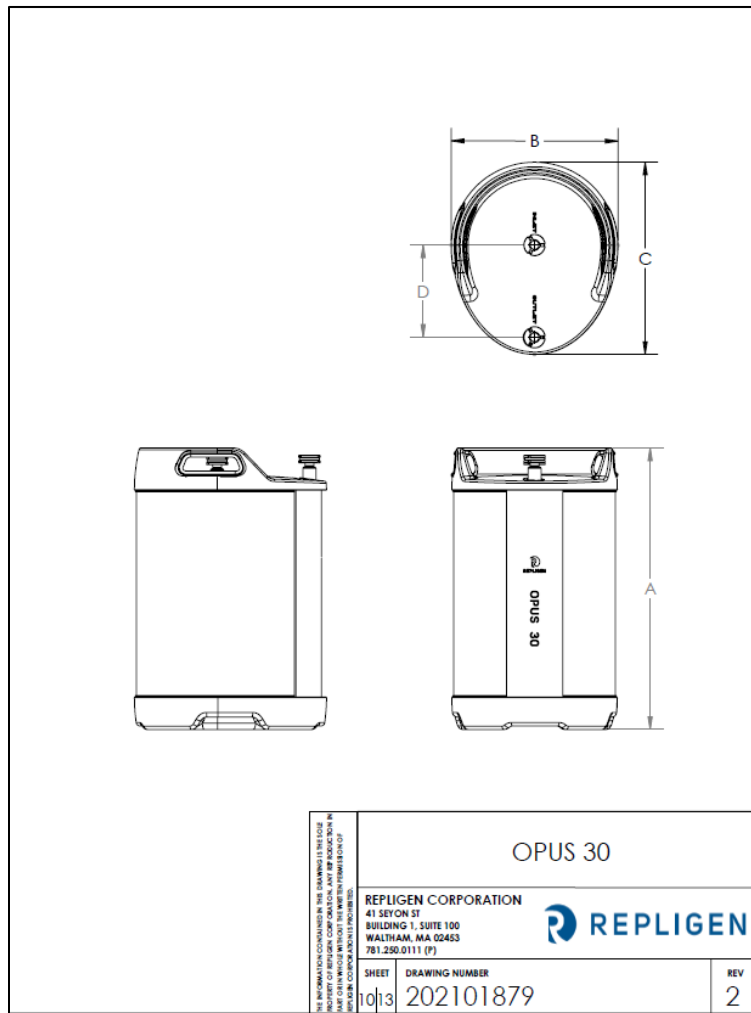


Table 9. OPUS 30 Column Dimensions

Dimension	Bed height	Value*
A	5 cm	37.8 cm (14.9 in)
	10 cm	42.8 cm (16.9 in)
	15 cm	47.8 cm (18.8 in)
	20 cm	52.8 cm (20.8 in)
	25 cm	57.8 cm (22.8 in)
	30 cm	62.8 cm (24.7 in)
B	5 – 30 cm	32.8 cm (12.9 in)**
C	5 – 30 cm	37.7 cm (14.8 in)**
D	5 – 30 cm	18.6 cm (7.3 in)**

*Dimension values are for reference only.

**Dimension value is fixed; does not vary with bed height.

Figure 10. OPUS 36R Engineering Drawing

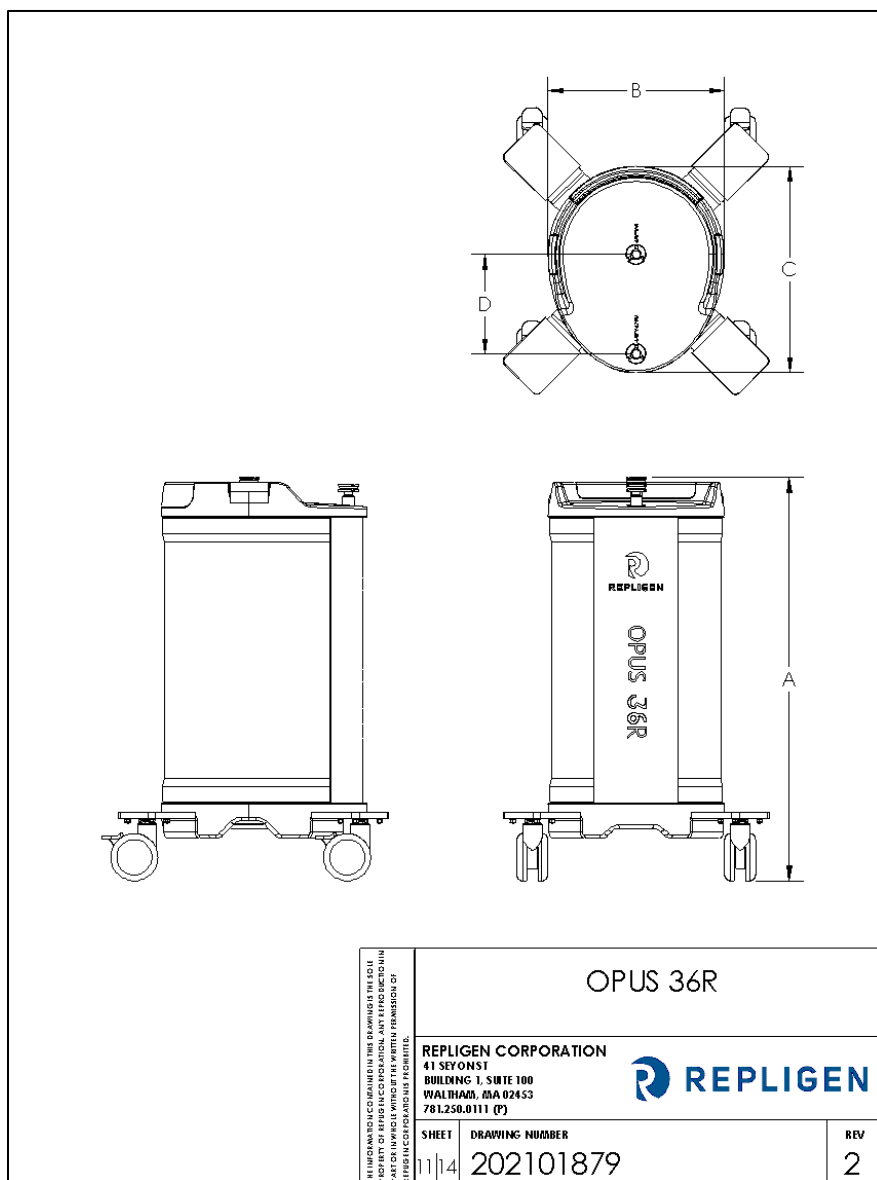


Table 10. OPUS 36R Column Dimensions

Dimension	Bed height	Value*
A	≤20 cm	86.9 cm (34.2 in)
	>20 cm	112.9 cm (44.5 in)
B	10 – 30 cm	38.0 cm (15.0 in)**
C	10 – 30 cm	44.5 cm (17.5 in)**
D	10 – 30 cm	21.4 cm (8.4 in)**

*Dimension values are for reference only.

**Dimension value is fixed; does not vary with bed height.

Figure 11. OPUS 45R Engineering Drawing

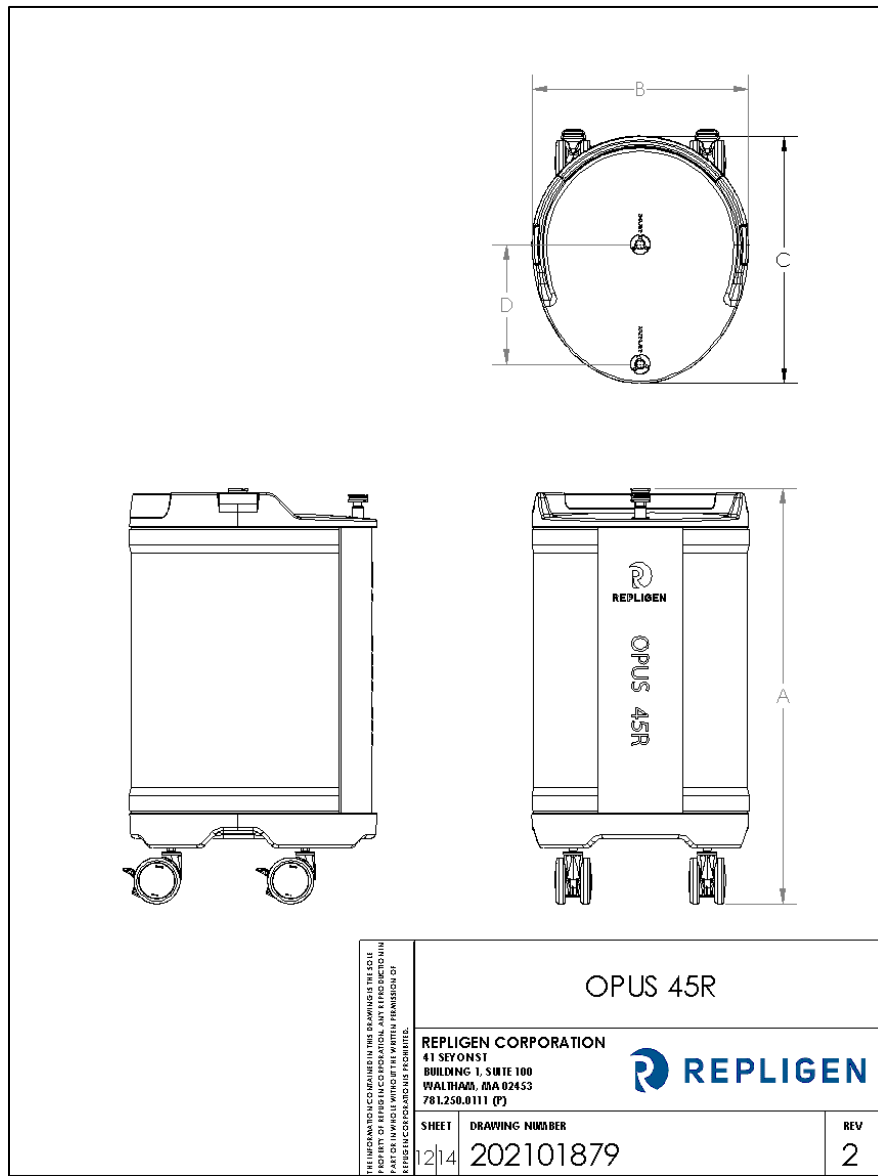


Table 11. OPUS 45R Column Dimensions

Dimension	Bed height	Value*
A	≤20 cm	88.9 cm (35.0 in)
	>20 cm	114.1 cm (44.9 in)
B	10 – 30 cm	47.0 cm (18.5 in)**
C	10 – 30 cm	53.5 cm (21.1 in)**
D	10 – 30 cm	25.9 cm (10.2 in)**

*Dimension values are for reference only

**Dimension value is fixed; does not vary with bed height

Figure 12. OPUS 60R Engineering Drawing

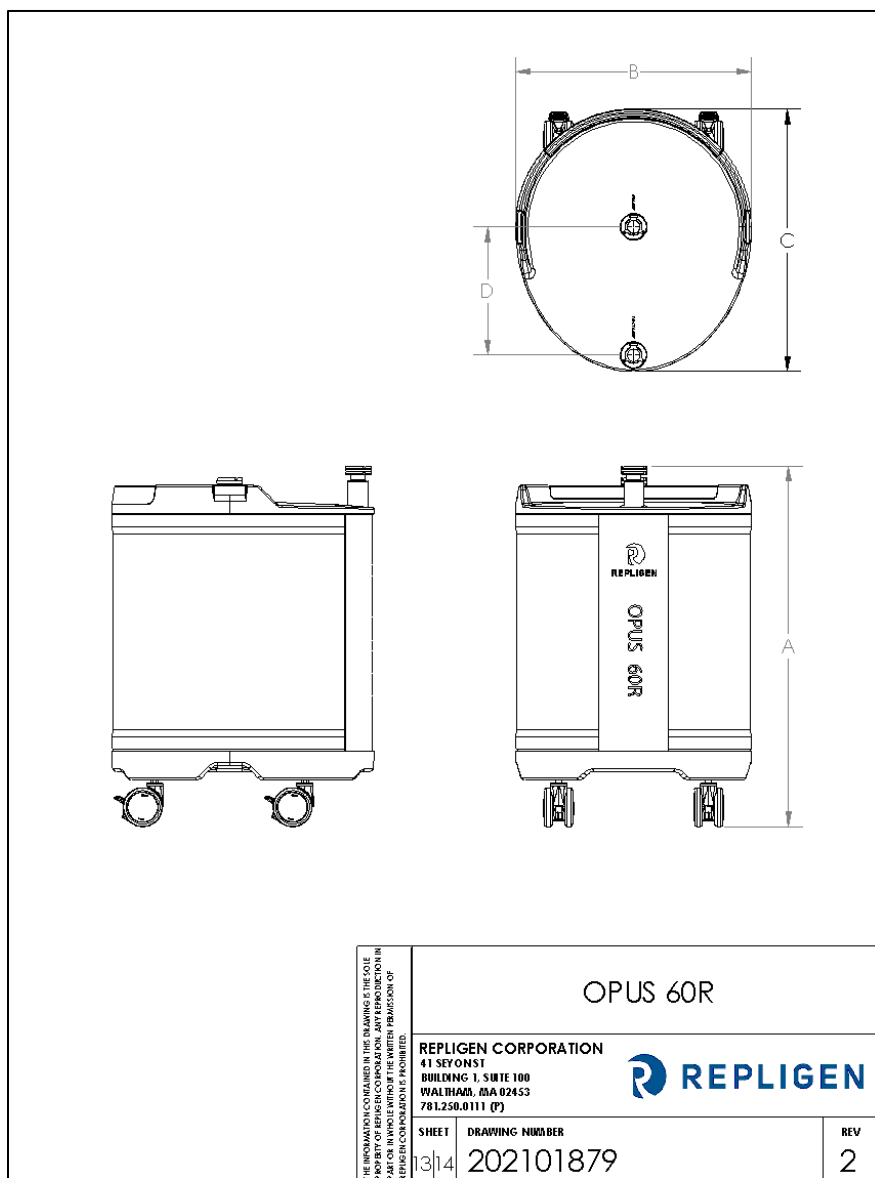


Table 12. OPUS 60R Column Dimensions

Dimension	Bed height	Value*
A	≤20 cm	88.0 cm (34.6 in)
	>20 cm	114.1 cm (44.9 in)
B	10 – 30 cm	61.2 cm (24.1 in)**
C	10 – 30 cm	68.1 cm (26.8 in)**
D	10 – 30 cm	33.3 cm (13.1 in)**

*Dimension values are for reference only.

**Dimension value is fixed; does not vary with bed height.

Figure 13. OPUS 80R Engineering Drawing

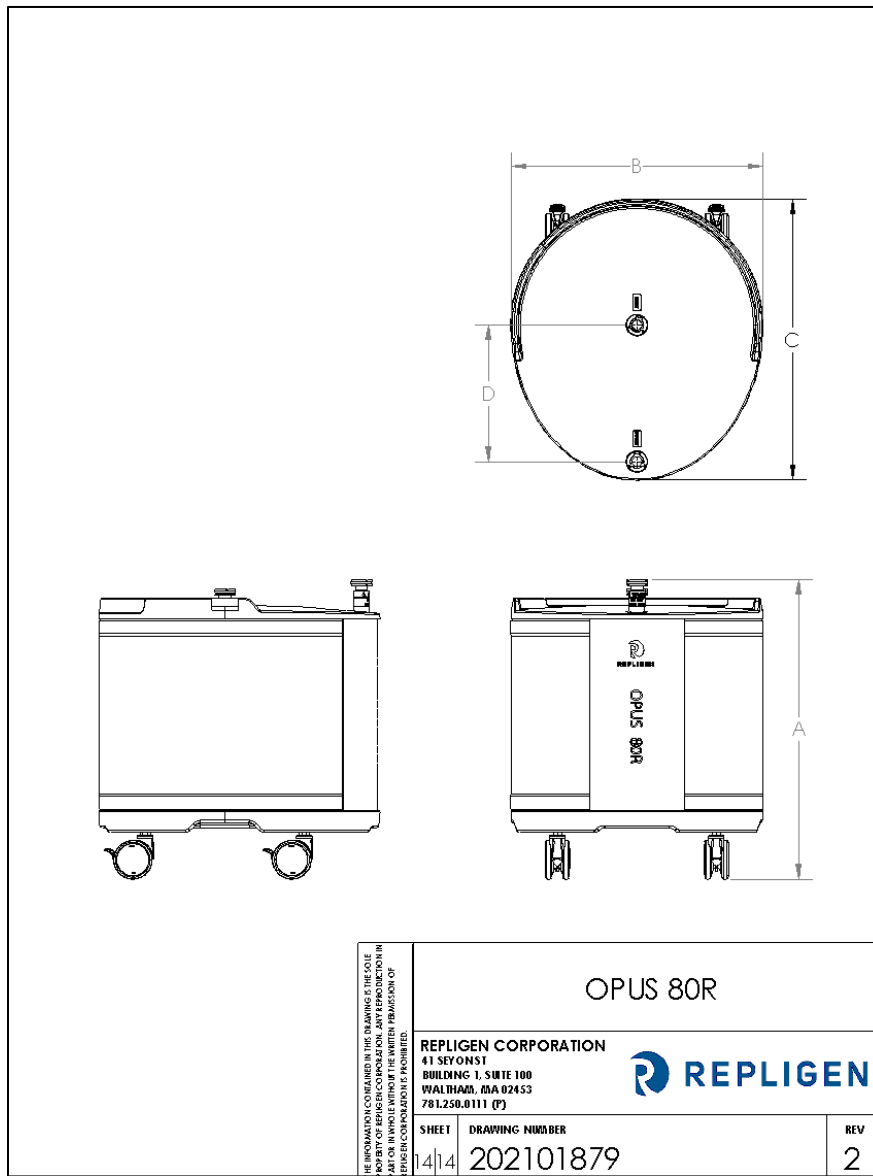


Table 13. OPUS 80R Column Dimensions

Dimension	Bed height	Value*
A	≤20 cm	90.6 cm (35.7 in)
	>20 cm	116.6 cm (45.9 in)
B	10 – 30 cm	81.0 cm (31.9 in)**
C	10 – 30 cm	90.5 cm (35.6 in)**
D	10 – 30 cm	44.0 cm (17.3 in)**

*Dimension values are for reference only.

**Dimension value is fixed; does not vary with bed height.

Customer Service

Repligen Corporation
41 Seyon Street
Waltham, MA, USA 02453

customerserviceUS@repligen.com

(781) 250-0111

RSF-Supplement B