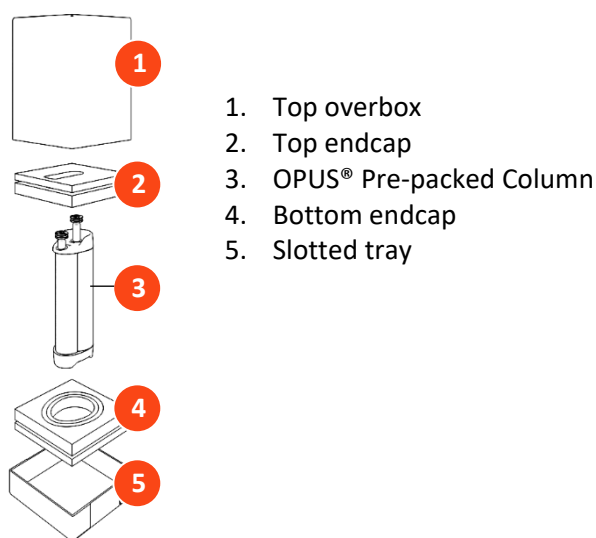


Read Prior to Removing the Column From the Box

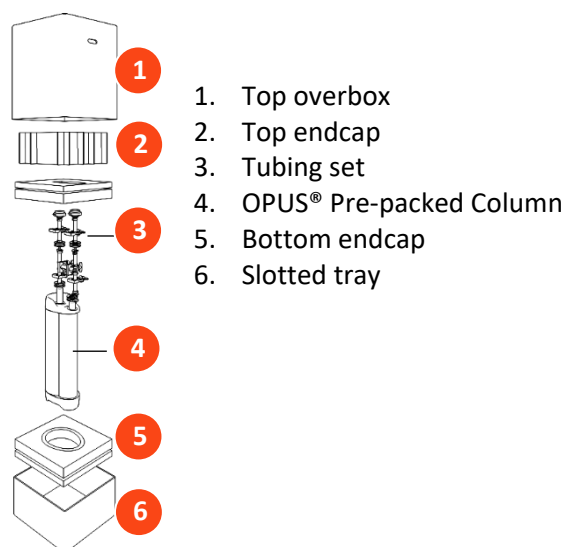
- Upon receipt of the OPUS® Pre-packed Column shipment:
 - Inspect the outside of the heavy duty cardboard carton for any unusual signs of damage.
 - Contact Repligen immediately if significant damage has occurred (see [page 2](#)).
 - Locate the shipping delivery documents attached to the outside of the box.
- Open the packaging (packaging design is shown in [Figure 1](#)):
 - Lift the top over the box from the slotted tray (base of the packaging).
 - Locate the Certificate of Analysis (CoA) for the column.
 - Remove the top layer of protective foam (top endcap) to expose the column.
 - Columns shipped with tubing sets attached: take care in lifting the top endcap from the packaging so as to not torque or strain the assembled tubing set (see [Figure 1b](#)).
 - Contact Repligen immediately if tubing set appears damaged.
 - For GMP Run Ready OPUS® Pre-packed Columns, locate the QC resin sample and store as specified by the resin manufacturer.
 - In some cases, resin not used during column packing may also be shipped with the column. A container of excess resin may be in the column box or in a separate box.

Figure 1. OPUS® Column shipping assembly, 10 - 30 cm ID

A. OPUS® Pre-packed Column



B. OPUS® Pre-packed Column with tubing set attached



- Remove the OPUS® Pre-packed Column from the box:
 - For maximum cleanliness, keep the clear plastic bag containing the column intact throughout Step 3.
 - Reference [Table 1](#) below for the approximate column weight.

For 10 - 14 cm ID columns, use two hands to grab the column and lift it from the box. For 20 - 30 cm ID columns, have two (2) people grab one handle each, lift the column slowly up



IMPORTANT: Do not pull or strain the white inlet and outlet ports or tubing set protruding from each end of the OPUS® Pre-packed Column.

from the bottom endcap, and place it carefully on to the floor.

Table 1. Approximate weight of OPUS® Pre-packed Columns, 10-30 cm ID

| Bed height | Column diameter | | | | |
|------------|-----------------|-------|-------|-------|-------|
| | 10 cm | 14 cm | 20 cm | 25 cm | 30 cm |
| 10 cm | 2.5 kg | 5 kg | 8 kg | 13 kg | 18 kg |
| 15 cm | 3.0 kg | 6 kg | 10 kg | 16 kg | 22 kg |
| 20 cm | 3.5 kg | 7 kg | 12 kg | 19 kg | 26 kg |
| 30 cm | 4.0 kg | 9 kg | 16 kg | 24 kg | 34 kg |

4. If you are not ready to use the column, leave the clear plastic bag intact and store the column according to the recommendations of the resin manufacturer.

OPUS® Pre-packed Chromatography Columns User Guide



Full User Guide available at
www.repligen.com/resources/quality

Contact information

For more information or questions, please contact Repligen:

Customer Support USA

customerserviceUS@repligen.com

+1-781-250-0111

Repligen Corporation

41 Seyon Street Building #1, Suite 100
 Waltham, MA 02453

Customer Support Europe

customerserviceEU@repligen.com

+31 76 5719 419

Repligen Europe B.V.

Hoeksteen 13
 4815 PR BREDA
 The Netherlands

©2021 Repligen Corporation. All rights reserved. The trademarks mentioned herein are the property of Repligen Corporation and/or its affiliate(s) or their respective owners.