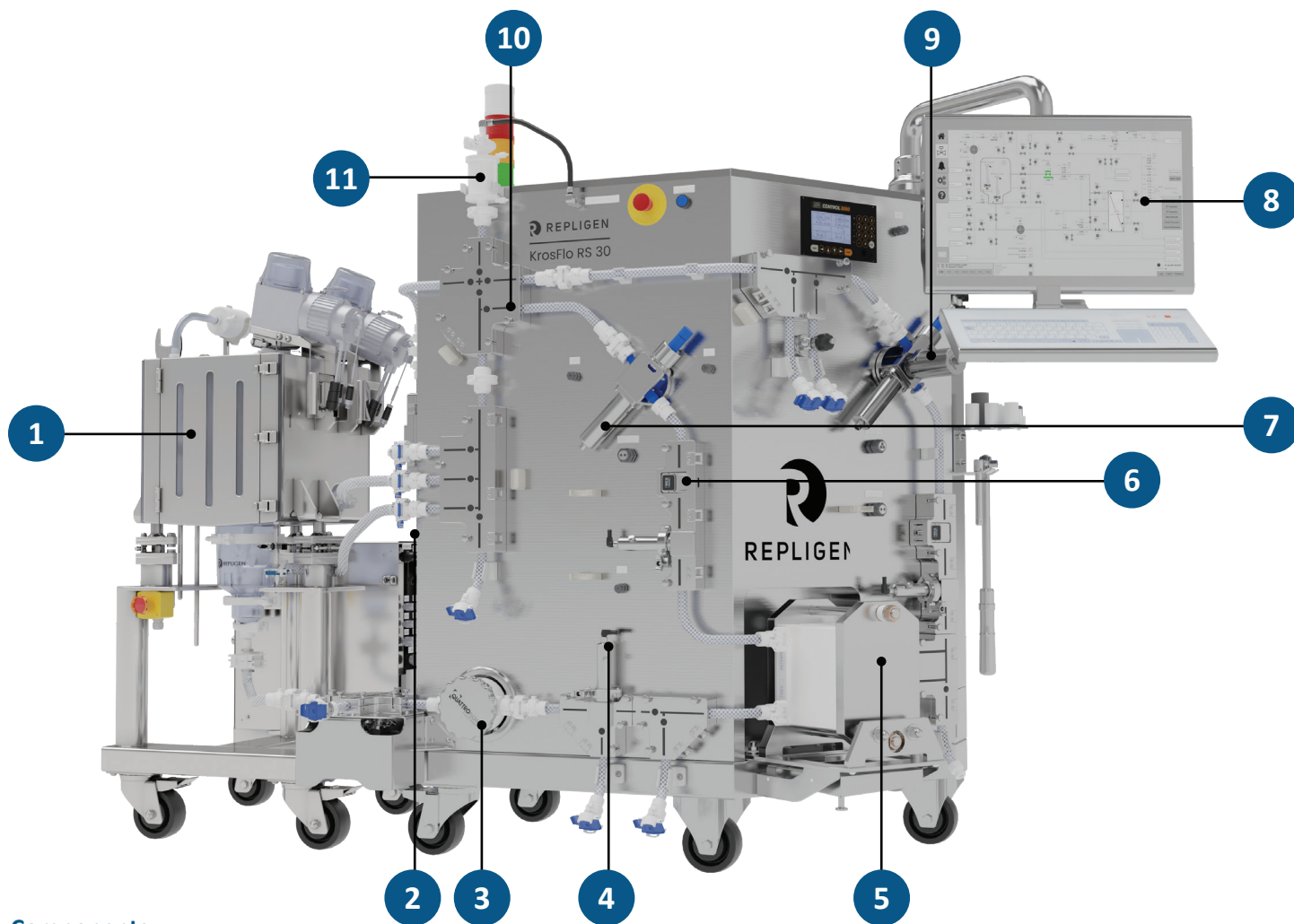


# KrosFlo® RS 30 TFF System

Data Sheet

## Fully Automate Processes With a Suite of Integrated Hardware Components

1/2" KrosFlo Single-use Tangential Flow Filtration (TFF) Systems integrate unique hardware to deliver significantly higher product yields and operational success through increased automation capabilities.



### Components

1. 50 L Tulip recirculation vessel
2. Peristaltic pump (addition)
3. Diaphragm pump (recirculation)
4. Pressure sensors (addition, recirculation, retentate, and permeate)
5. Cassette-holder
6. Flow meters (retentate and permeate)
7. Retentate Conductivity and pH Sensor (Optional)
8. 21" Touch screen and keyboard
9. Permeate Conductivity and Temperature Sensor Permeate pH and UV sensors (optional)
10. TMP Control Valve
11. Process air inlet (for integrity testing)

RE\_0150\_0421\_05APR2024

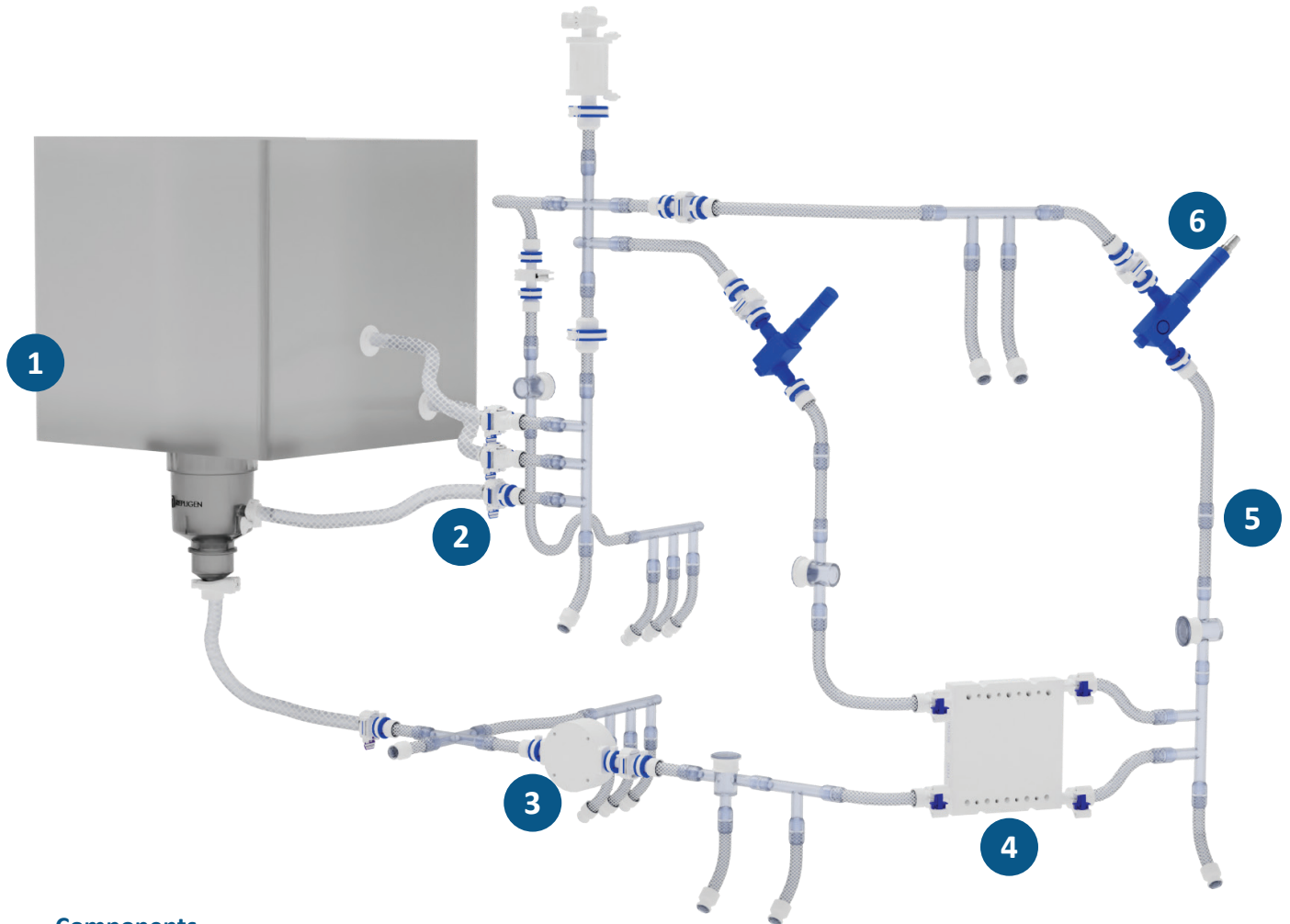
[repligen.com](https://www.repligen.com)

© 2024 Repligen Corporation. All rights reserved. The trademarks mentioned herein are the property of Repligen Corporation and/or its affiliate(s) or their respective owners.

 **REPLIGEN**

### Deliver High Recovery and Operational Simplicity With Engineered ProConnex® Flow Paths

ProConnex Flow Paths integrate advanced fluid management technologies, including over-molded connections, pump heads, tubing, filters, and sensors in a single-use device. Flow paths easily attach to the system to simplify operation and increase process efficiency.



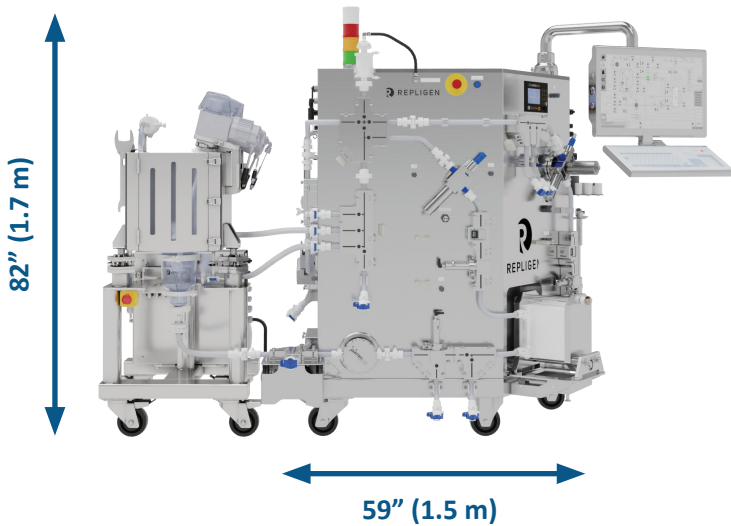
#### Components

1. Tulip bag
2. Recirculation loop inlet ports
3. Diaphragm pump head
4. Filter plate insert
5. Over-molded connections
6. Integrated sensors

## Signature Features and Advanced Engineering

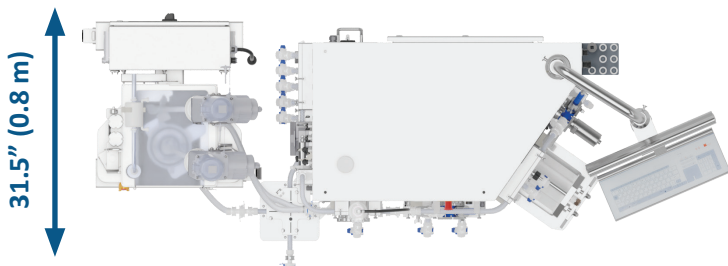
cGMP compliant, fully automated 1/2" Single-Use Tangential Flow Filtration (TFF) System, with low hold-up volume, small footprint, and outstanding performance.

## Dimensions



### System Process Overview

Flatsheet Membrane Area	0.5 - 5 m <sup>2</sup>
Hollow Fiber Membrane Area	0.51 - 5.1 m <sup>2</sup>
Standard Hollow Fiber Modules	Spectrum® MiniKros and KrosFlo
Addition Flow Rate	Maximum 7.5 LPM
Recirculation Flow Rate	0.2 - 20 LPM
Recirculating Loop Volume Without Filter Cassettes	≤ 560 mL
Minimum Working Volume	2.0 L with 50 L tulip tank



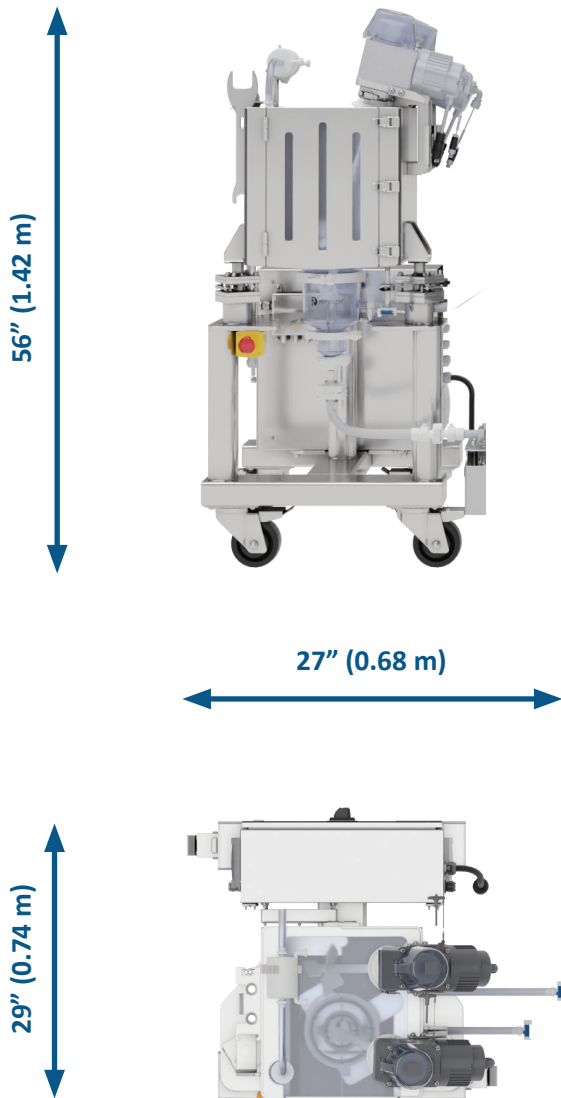
### System Mechanical Overview

System Size	59" W x 31.5" D x 82" H
Power Main	120 - 240 VAC (+/- 10%), 1 ph, 50/60 Hz, 15A
Power Instruments	120 - 240 VAC (+/- 10%), 1 ph, 50/60 Hz, 15A
MoC	304 L SS #3A (System)

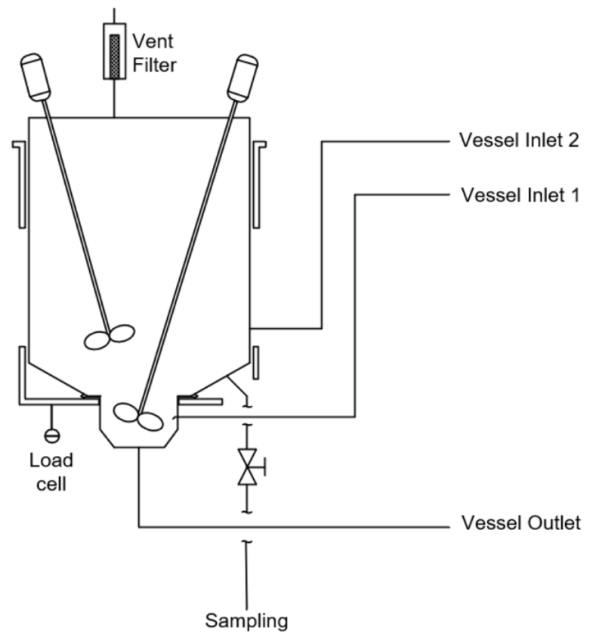
### Dynamic Control and Response to Changing Fluid Levels for Maximum Product Recovery

The single-use tulip tank recirculation vessel is designed to be used in combination with KrosFlo® Tangential Flow Filtration (TFF) Systems to carry out fed-batch, batch concentration, and diafiltration processes using a product recirculation bag, load cells and two top-mounted mixers. Multi-level inlets ensure superior recirculation performance.

### Dimensions

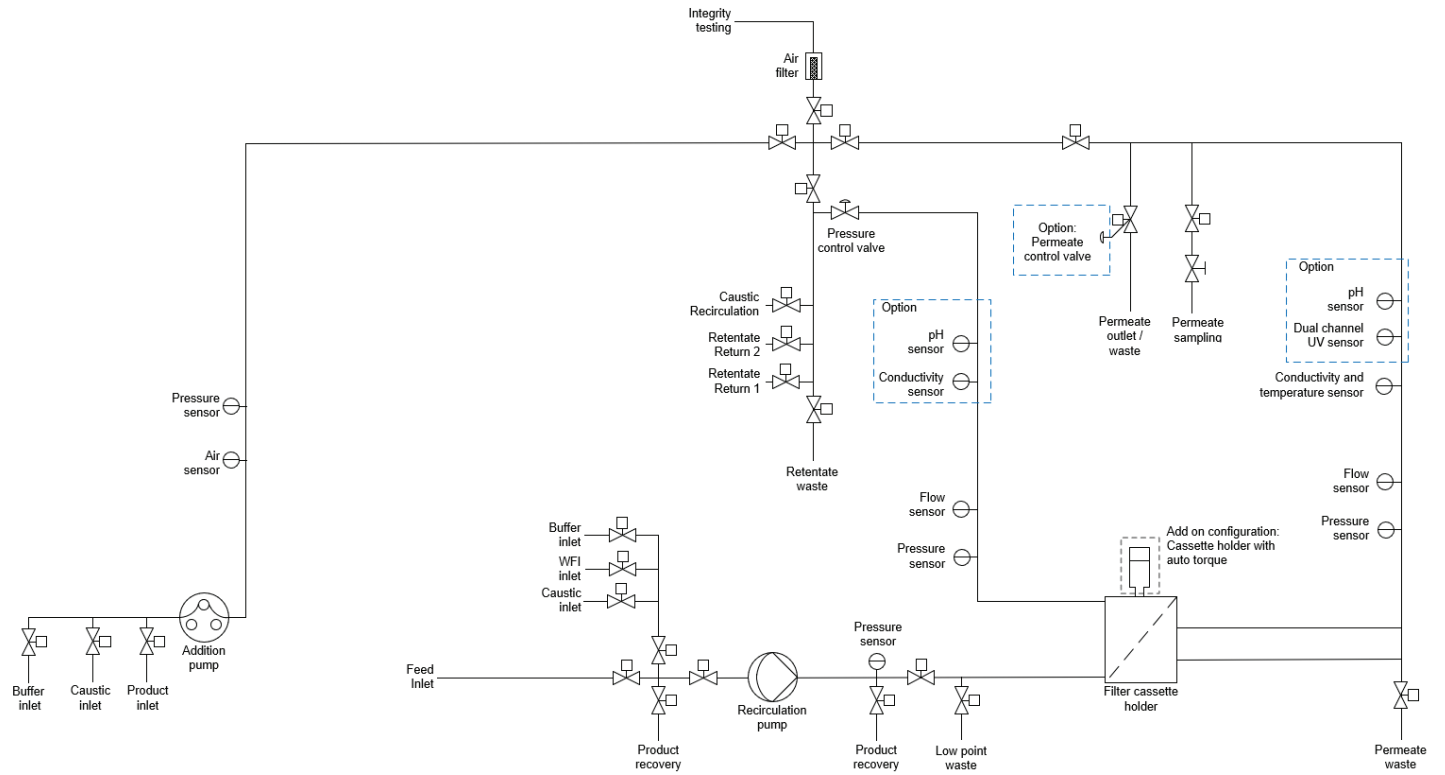


System Overview	
Model	TULIP050
System Size	27" W x 29" D x 56" H
Minimum and Maximum Working Volume	2.0 L - 150 L
<b>Sensors</b> Multi-use Sensors	Vessel weight (Load cell)
<b>Agitation</b> Mixing Rate Range	15 - 240 rpm



**Expand Filtration Capabilities and Automate More Process Sequences With Additional Valves**

Single-use 1/2" Tangential Flow Filtration (TFF) System process flow diagram.



### KrosFlo RS 30 TFF System Specifications

Membrane Area	0.5 - 5 m <sup>2</sup>
Recirculation Pump	Maximum 20 LPM Diaphragm
Addition Pump	Maximum 7.5 LPM Peristaltic
Over Pressure Protection	Yes
Maximum Flow Path Pressure	4 bar
Recirculation Loop Volume	≤ 560 ml excluding membrane
Operating Temperature Range	4 - 40 (°C)
Pneumatic Supply	5.8 - 8 barg
System Dimensions	2.1 m W x 1.8 m D x 8 m H
Power Requirements	Instrument Power: 120 - 240 VAC, 1 ph, 50/60 Hz, main fuse 15A Main Power: 120 - 240 VAC, 1 ph, 50/60 Hz, main fuse 15A
Flow Measurement Locations	Retentate, permeate
Flow Measurement Range	0 - 20 LPM
Flow Measurement Accuracy	0 - 1.8 LPM: ± 0.054 LPM + 1% of reading, 1.8 - 20 LPM: ±3% of reading
Pressure Measurement Locations	Recirculation , retentate, permeate, addition
Pressure Measurement Range	0 - 4.14 barg
Pressure Measurement Accuracy	± 0.06 bar or ± 1.5% of reading
Air/Bubble Sensor Location	Addition
Conductivity Measurement Locations	Permeate (optional: retentate)
Conductivity Measurement Range	Low Range: 0 µS/cm to 100 µS/cm (permeate) High Range: 0.1 mS/cm to 150 mS/cm
Conductivity Measurement Accuracy	Low Range: ± 2% of reading + 1% of full scale High Range: ± 2% of reading + 1% of full scale
Temperature Measurement Location	Permeate
Temperature Measurement Range	2 - 50°C
Temperature Measurement Accuracy	±1°C

### KrosFlo RS 30 TFF System Specifications

Integrity Test Mass Flow Meter Range	0.002 - 3 slpm
Integrity test mass flow meter accuracy	±0.6% of reading or ±0.1% of full scale, whichever is greater (ml/min)
UV Measurement Location	Permeate (Optional)
UV Measurement Range	0 - 2 AU
UV Measurement Accuracy	±1 % of reading +1% of full scale (including loop)
UV Sensor Wavelength	Optional: 254/280 nm or 280/300 nm
pH Measurement Location	Optional: permeate, retentate
pH Measurement Range	3 - 10 pH
pH Measurement Accuracy	±0.2 pH (0 - 2 bar, 4 - 50° C)
Enclosure Ratings	IP54 minimum
PLC	Allen Bradley CompactLogix
HMI	21.5" Touch screen and glass keyboard with Industrial PC mounted in control cabinet
Software Platform	AVEVA System Platform (formerly Wonderware)
Operating System	Windows 10
Network Connection	Ethernet/IP, RJ45
Network Connectivity	External monitoring and control ready. Dedicated network connections for both the PLC and the HMI. Ready for connection to Active Directory domain for consolidated logons
Compliance and Regulatory	UL508A, EU Machinery Directive, 21 CFR Part 11, CE, RoHS, REACH and ALCOA+

## Vessel Specifications

Maximum Volume	50 L
Minimum Volume With Agitation	3.2 L with impeller covered one inch
Minimum Volume With Recirculation	2.0 L with lowest inlet covered one inch
Agitator Range	15 - 240 rpm
Impeller Type	Pitch blade (45° pitch)
Impeller Blade Count	3 per impeller
Impeller Diameter	14.6 cm
Load Cell Range	0 - 300 kg
Load Cell Accuracy	±0.05% of full scale
Power Requirements	120 - 230 VAC (+/- 10%), 1PH 50/60Hz main fuse 15A
Dimensions	0.70 m W x 0.75 m D x 1.45 m H

### Customer Service

Repligen Corporation  
111 Locke Drive  
Marlborough, MA, USA 01752

[customerserviceUS@repligen.com](mailto:customerserviceUS@repligen.com)

(508) 845-6400

RE\_0150\_0421\_05APR2024